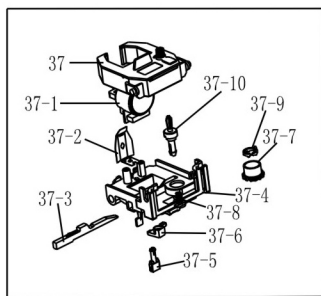
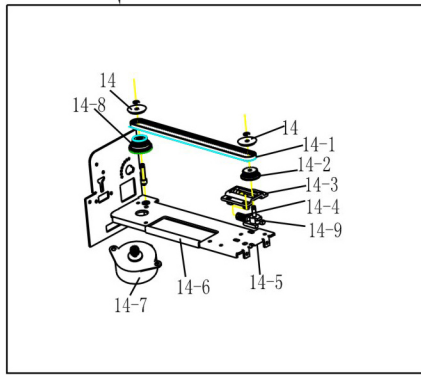
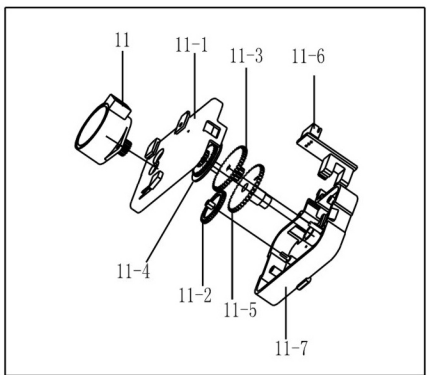
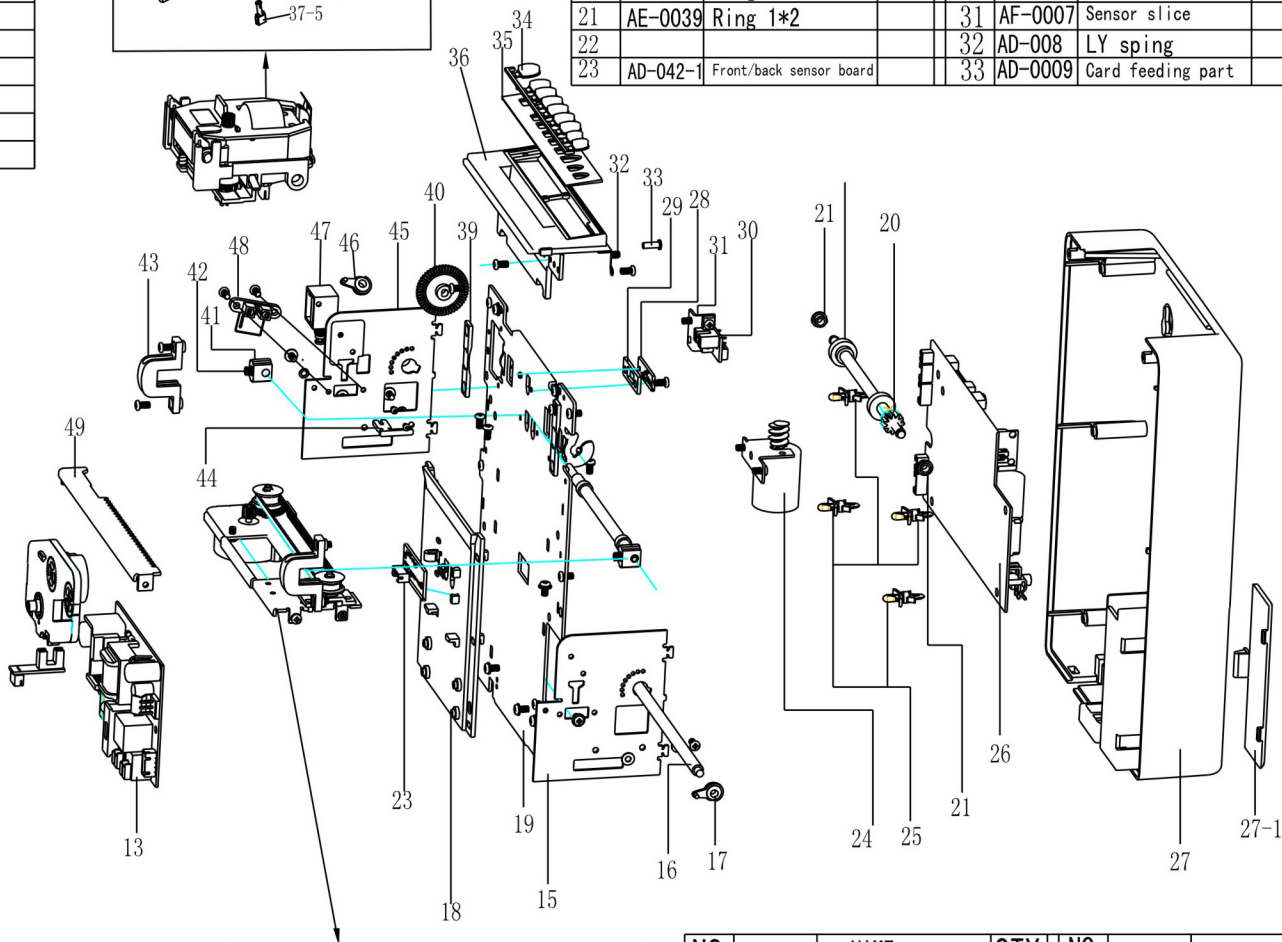
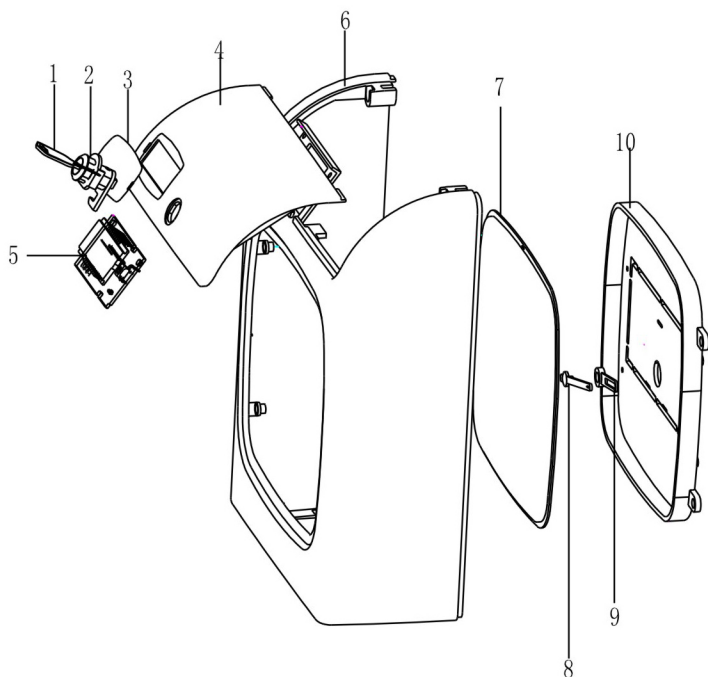


NO	ITEM	NAME	QTY	NO	ITEM	NAME	QTY
1	AH-0022	Key		11-4	AE-0076	Gear (minute hand)	
2	AE-0082	Lock		11-5	AE-0077	Gear (hour hand)	
3	AE-0070	Lens (A)		11-6	AD-040	Testing part	
4	AH-0041	Top case		11-7	AE-0072	Back cover	
5	AD-009-1	LCD display board		12			
6	AE-0017	JM cover		13	AD-013	AC PCB	
7	AE-0023	LY lens (A)		14	AE-0008	Belt pressing slice1*2	
8	AE-0060	Minute hand		14-1	AD-004	Leather belt b 140mm*1	
9	AE-0061	Hour hand		14-2	AE-0012	Gear (belt ass'y)	
10	AE-0004	Plate (whith)		14-3	AE-0007-1	Gear-ass'y	
11	AD-0034	Motor (ST-25)		14-4	AD-035	Spring	
11-1	AE-0071	Clock cover		14-5	AF-0004	Table	
11-2	AE-0075	Gear (motor ass'y)		14.6	AE-0042	Cover1*3	
11-3	AE-0073	Gear (clock ass'y)		14-7	AD-037	Motor (ST-35)	



NO	ITEM	NAME	QTY	NO	ITEM	NAME	QTY
14-8	AE-0013	GEAR (BELT ASS'Y)		24	AD-044	370 motor	
14-9	AE-0014	Belt control seat		25	AD-010	Circuit board supporter	
15	AF-0003	Left plate		26	AD-072-1	LY- circuit board	
16	AE-0009	Rod 6*155.6mm		27	AE-0046	Back cover	
17	AE-0035	Adjusting part		27-1	AE-0025	LY battery door	
18	AE-0009	Card feeding part		28	AD-039	Card testing board	
19	AF-0002	LYA plate		29	AE-0009	Card feeding part	
20	AF-0014	LJ gear		30	AD-041	UP/down testing board	
21	AE-0039	Ring 1*2		31	AF-0007	Sensor slice	
22				32	AD-008	LY sping	
23	AD-042-1	Front/back sensor board		33	AD-0009	Card feeding part	



NO	ITEM	NAME	QTY	NO	ITEM	NAME	QTY
34	AH-0002	Button sticker		37-10	AE-0037	Tolling pillar	
35	AD-045	LY-button board		38	AF-0013	LJ rod	
36	AE-0018	LY-card pocket		39	AE-0001	Plate	
37		Ribbon		40	AE-0003	Gear	
37-1	AD-076	LY-print head		41	AF-0016	Iron part 1*2	
37-2	AF-0008	Slice		42	AD-0049	Spring 4.8*12.7	
37-3	AE-0032	Color changde rod		43	AE-0002	Roller rod ass'y1*2	
37-4	AE-0040	Print base		44	AE-0007	color changing part	
37-5	AE-0016	Fixing pillar		45	AF-0053	Right plate	
37-6	AE-0010	Fixing plate		46	AE-0036	Adjusting part(L)	
37-7	AE-0038	Rolling wheel		47	AD-011	Magnetic box	
37-8	AD-048	Spring 4.7*11		48	AD-042	Left/Right testing board	
37-9	AE-0034	Ribbon ratchet		49		Cross rack	